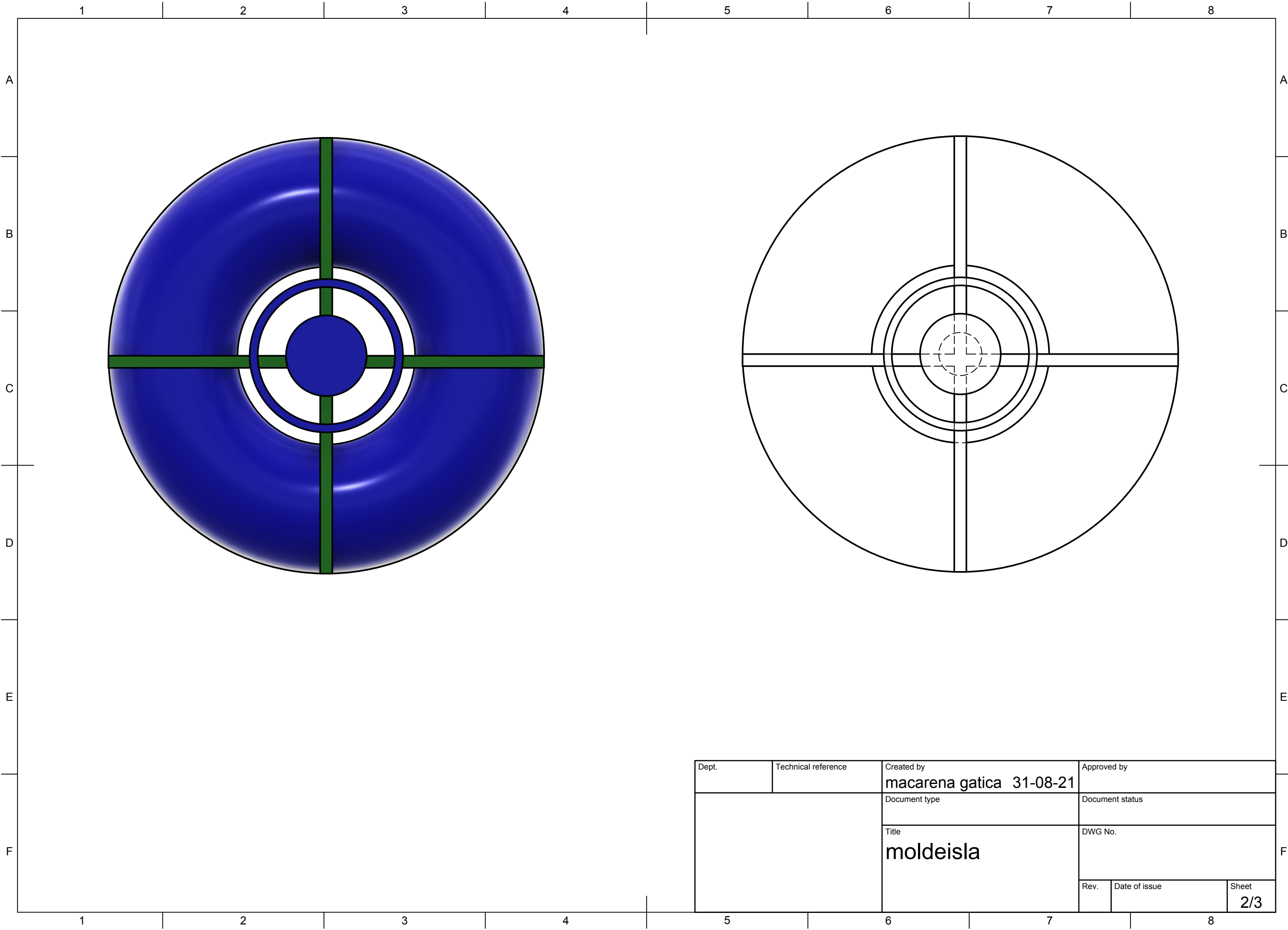
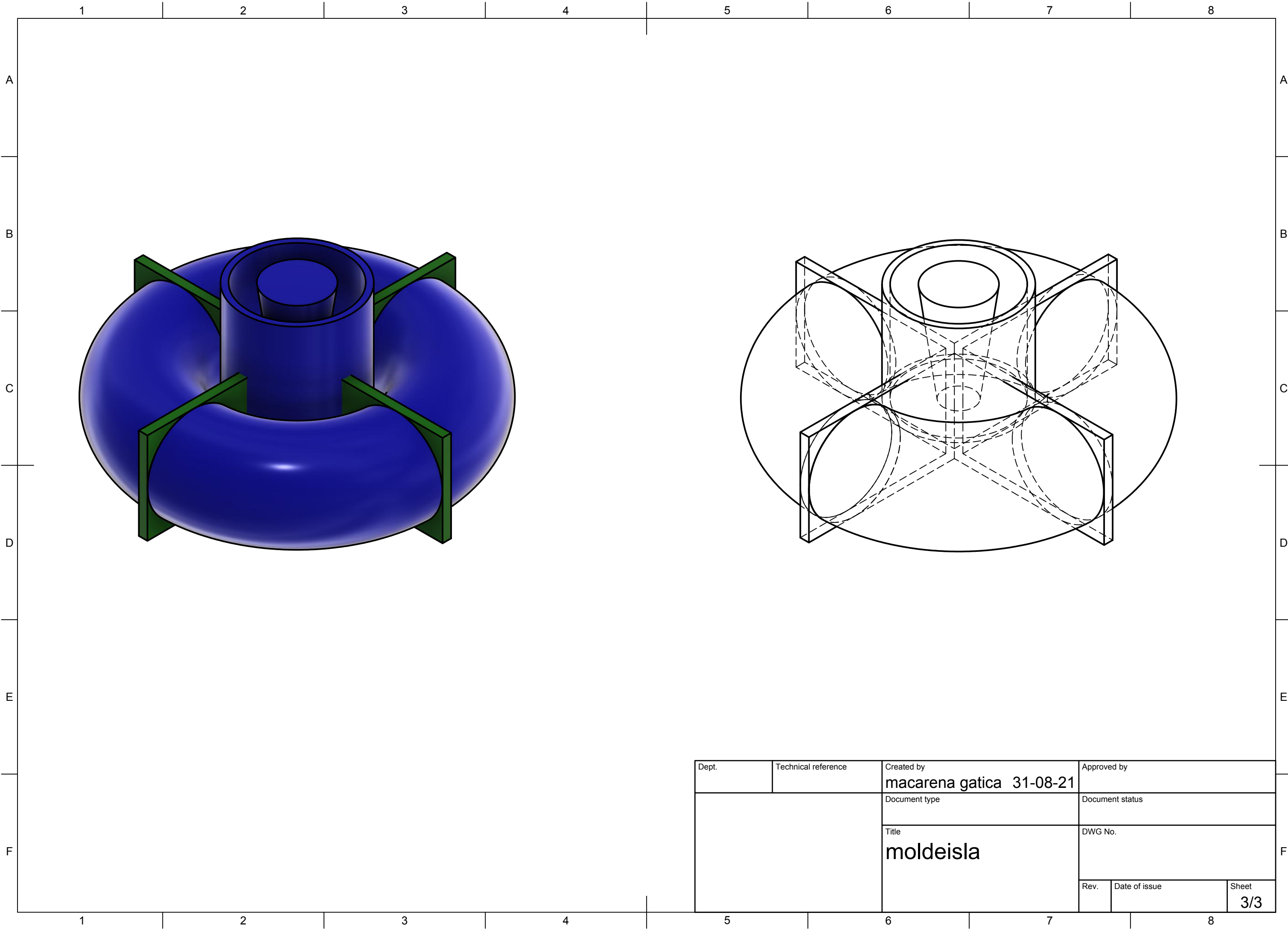


Dept.	Technical reference	Created by macarena gatica 31-08-21	Approved by
		Document type	Document status
		Title moldeisla	DWG No.
		Rev.	Date of issue
		Sheet 1/3	



Dept.	Technical reference	Created by macarena gatica 31-08-21	Approved by
		Document type	Document status
		Title moldeisla	DWG No.
		Rev.	Date of issue
		Sheet 2/3	



1 2 3 4 5 6 7 8

A

A

B

B

C

C

D

D

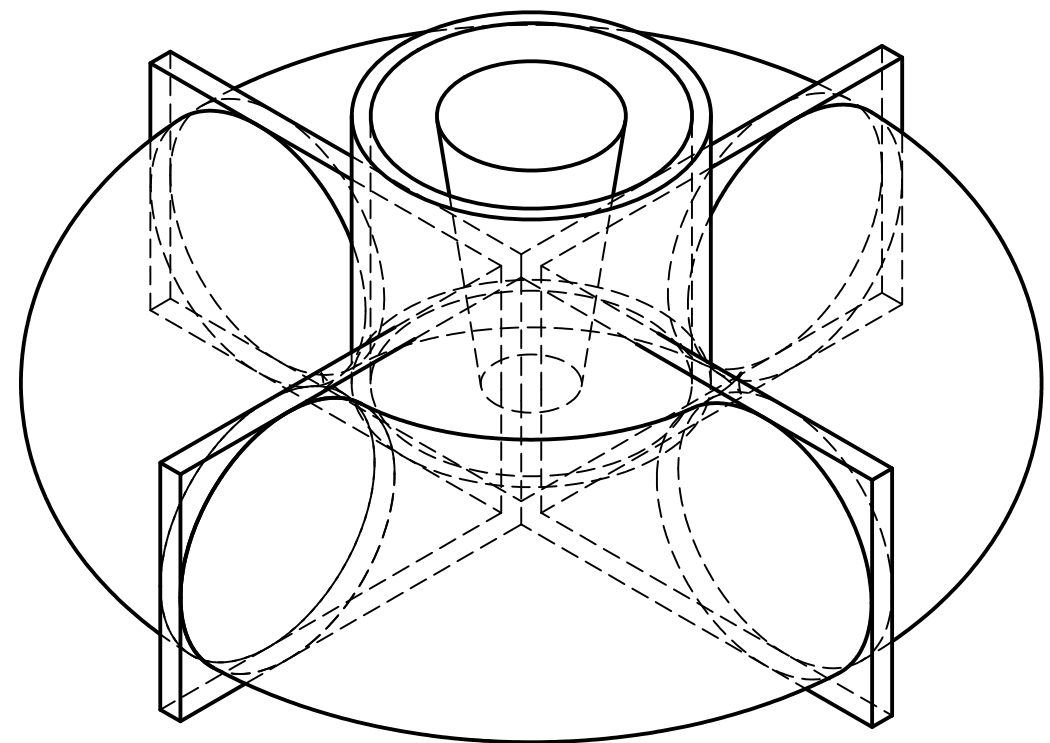
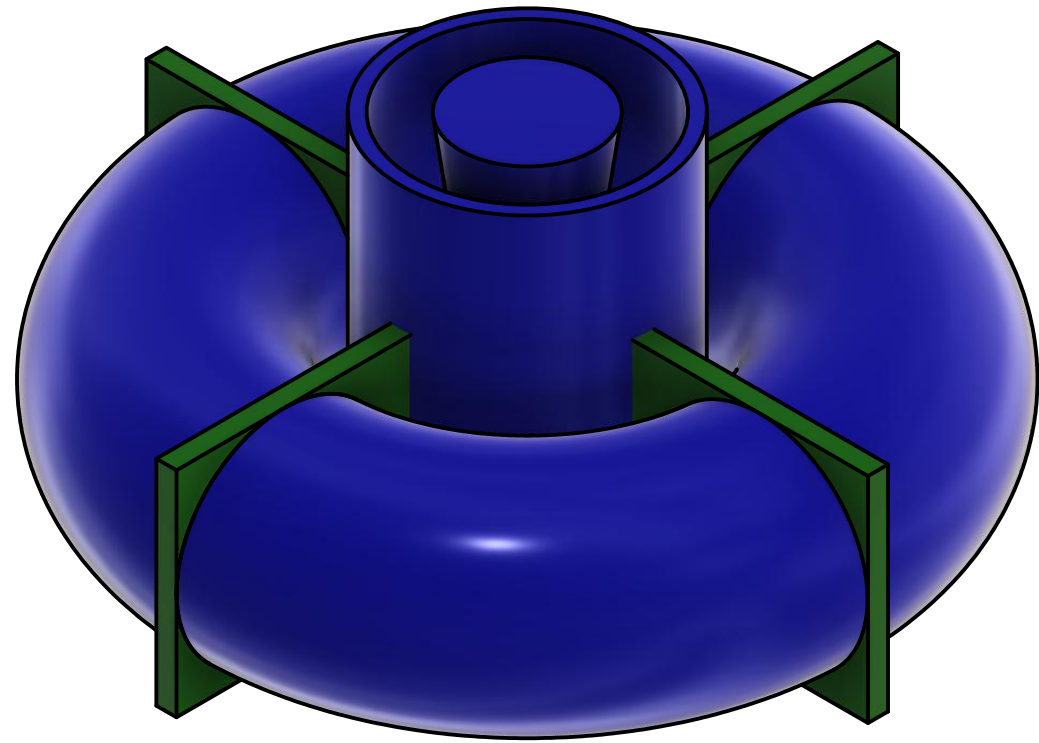
E

E

F

F

1 2 3 4 5 6 7 8



Dept.	Technical reference	Created by macarena gatica 31-08-21	Approved by
		Document type	Document status
		Title moldeisla	DWG No.
		Rev.	Date of issue
		Sheet 3/3	